

LIGHTMARK T1

Specifications



Why us?

Innovative Technology

High-efficiency solar and advanced LEDs deliver superior performance, long life, and maximum ROI.

Photometric

We conduct photometric measurements on all our products to ensure optimal performance and compliance with industry standards

Versatile Lighting

We design and install solar-powered lighting systems tailored for all kinds of locations such as streets, parks, pathways, homes, etc.

Global Reach

Worldwide success proves our adaptability and regulatory expertise.

Sustainable Savings

These solutions enhance safety, promote sustainability and provide significant energy and cost saving.

Warranty

SolarPath is dedicated to delivering architectural and commercial-grade solar lighting that can be customized to meet specific client requests, both in technical specifications and aesthetic design, ensuring a perfect fit for a diverse range of needs.



LightMark T1 is a single-direction demarkation, on-surface active pavement marker of the LightMark series that combines electronic LED illumination passive retro-relective lens for maximum visibility.

LightMark T1 is available in a variety of lighting configurations and is suitable for a variety of marking applications.



Technical Specifications

Technology and Operation

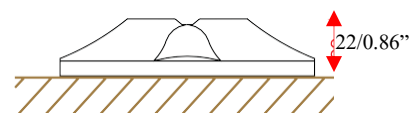
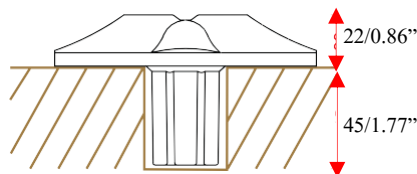
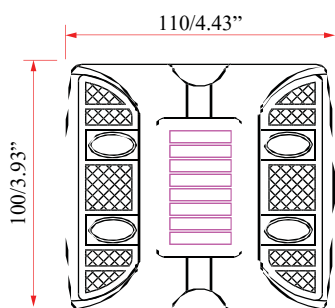
Solar panel type	Mono-Crystalline
Illumination technology	2 Ultra-bright LED
Energy storage	Ultra-Capacitor
Charging time	3 Hours (sunny) to 8 hours (cloudy or rainy)
Temperature range	-40F to +176F / -40C to +80C
Water resistance	IP 68
On/Of level	250-300 lux
Operation per charge cycle	Up to 14 hours
Warranty	1 year

Illumination Properties

Available lash patterns	Steady, Flashing
Available colors	White, Blue, Red, Green, Amber
Light visibility distance	Up to 3,300 feet / 1km (varies according to weather conditions)
Fixture Type	Flat Type/ Anchor Type

Material and Design

Top cover	Polycarbonate
Body	Aluminum
Reflector	True Cube-Corner type reflex (UV stabilized Lexan #143)
Compressive strength	1,000kg/cm (2,204lbs/inch)
Dimensions- Body	Flat-3.93" x 4.43" x 0.86" / 100mm x 110mm x 22mm Anchor- 3.93" x 4.43" x 2.63" / 100mm x 110mm x 67mm
Weight	Flat- 300g/ 0.66lbs Anchor- 360g/ 0.79lbs



SOLAR STREET LIGHT

USES AND APPLICATIONS GUIDE

Lane delineation	
Shoulder marking	
Lane dividers	
Safety guide rails	
Curves and turns	
Crosswalks	
Speed humps	
Traffic circles / islands	
General traffic calming	
Security barricades	
Marking of underground cables	
Fire hydrant marking	

ORDERING GUIDE

Ordering Guide: EXAMPLE: LMT1-X-XY-X-X

Model	Flashing Pattern	LED Color X-LED Y-Reflector	LED Configuration	LED Configurations
LIGHTMARK T1	0 – Steady 1 – Flash 60 2 – Flash 120	A – Amber W – White B – Blue R – Red G – Green	X- No. of LEDS on side 1 Y- No. of LEDS on side 2	0 – Flat 1 - Anchor

Legal Clarification: All technical information and/or products listings and/or technical support, and/or any kind of graphics, illustrations and/or instructions and/or the names, trade names, trademarks, trade symbols, service marks, logos, icons and trade dress of SolarPath Inc or in connection to SolarPath Inc or any of its selling products, contained herein is in the exclusive ownership of SolarPath Inc and may not be alternated and/or used in any manner including but not limited to copy of some or all of the said material by users and/or viewers or any third party for that matter of this document and the website to which it is linked without the express prior written permission of SolarPath Inc. Furthermore, redistribution or any kind of commercial use or alternation or any kind of use other than downloading presented information in some or all contents of downloadable documents, and/or downloadable contents, is strictly prohibited without express written prior permission. All information set out herein is subject to changes as may occur from time to time. SolarPath Inc is not responsible for, and cannot guarantee and shall not be held liable for any information or the accuracy of such in websites that it does not manage



Contact us



+1.201.490.4499

Toll free: 1.888.333.SOLAR (7652)



contact@solarpathusa.com



www.solarpathusa.com