

HIGHLIGHT SP-WPTP

Specifications



Why us?

Innovative Technology

High-efficiency solar and advanced LEDs deliver superior performance, long life, and maximum ROI.

Photometric

We conduct photometric measurements on all our products to ensure optimal performance and compliance with industry standards

Versatile Lighting

We design and install solar-powered lighting systems tailored for all kinds of locations such as streets, parks, pathways, homes, etc.

Global Reach

Worldwide success proves our adaptability and regulatory expertise.

Sustainable Savings

These solutions enhance safety, promote sustainability and provide significant energy and cost savings.

Warranty

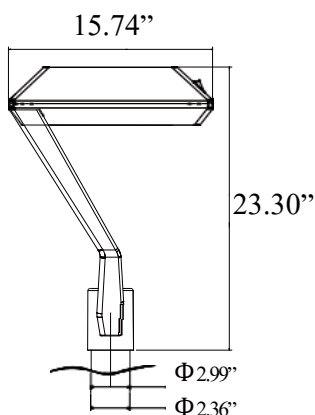
SolarPath is dedicated to delivering architectural and commercial-grade solar lighting that can be customized to meet specific client requests, both in technical specifications and aesthetic design, ensuring a perfect fit for a diverse range of needs.



The SOLARPATH HIGHLIGHT SP-WPTP™ is the most advanced and sophisticated solar light pole available on the market. The solar light pole is completely off-grid and works autonomously, using sustainable solar power. This means there is no need for expensive cabling and invasive trenching, which results in fast installation, easy operation and a low total cost of ownership. Solar energy generated during the day is stored in high-quality lithium batteries, which are long-lasting and require minimum maintenance. The highly efficient LED-luminaire provides powerful lighting at night.

Technical specification

Solar Module Parameters	Type	CIGS Amorphous flexible solar panel wrap on pole
	Power	Up to 720W
	Amount of solar modules	Up to 4 pcs
Solar Charge Controller	MPPT (Maximum Power Point Tracking), infrared solar charging controller	
Battery	LifePO	Up to 150AH
LED Light Parameters	Light Source Power	Up to 80W (Up to 9,680 lm)
	CCT (Correlated color temperature)	3,000K-6,000K/Amber
	CRI (Color rendering index)	<u>≥81</u>
Control Modes	Manual ON/OFF / Automatically ON/OFF / Time Control	
Operation profile	Dusk to dawn (Depend on solar radiation)	
IP Rating	IP65	
Operation Temperature	-31°F~122°F	



FLEX SERIES -1.7N

CIGS Flexible Modules:
High Power Density in a Flexible Form Factor

Solar cylindrical wrap pole panel data sheet

Key Features

- Record efficiency level in a CIGS flexible form factor.
- Low installed weight at less than 2.9 kg/m^2 ($<0.6 \text{ lb/ft}^2$)
- No penetration, ballast or racking required.
- Applicable for high wind load and high shading losses.
- Bypass diodes reduce PV system shading losses.
- Directly bonds to many approved surfaces.

Reliability and safety

- IEC 61646, IEC 61730-1 & -2, IEC 61701, IEC 62716, DEWA.
- UL 1703, ULC ORD C 1703, UL 2703.
- 5 years workmanship.
- 10/25 years warranty against power loss.



FLEX SERIES

SP-FWSP- CIGS MODULE SERIES

Electrical performance AT STC¹

Nominal Power P _{MPP}	(W)	85	90	100	150	180
Power Output Tolerance	(W)	+5/-0	+5/-0	+5/-0	+5/-0	+5/-0
Maximum Power Voltage V _{MPP}	(V)	18.44	24.84	18.2	18.8	22.23
Maximum Power Current I _{MPP}	(A)	4.72	3.71	5.49	7.96	8.08
Open Circuit Current V _{OC}	(V)	22.7	30.64	22.47	22.5	26.5
Short Circuit Current I _{SC}	(A)	5.28	4.19	5.93	8.38	8.38
Maximum Series Fuse Rating	(A)	10			15	
Maximum System Voltage (IEC/UL)	(V)	1000/600				

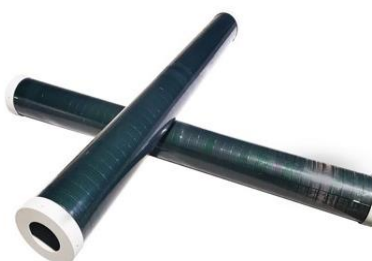
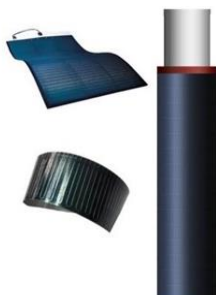
¹Standard Test Conditions (STC): 1000 W/m², 77°F cell temperature, AM 15 spectrum.

Thermal Characteristics

NOCT	(°F)	118.4
Temperature Coefficient P _{MPP}	(%/°F)	32.68
Temperature Coefficient V _{OC}	(%/°F)	32.50
Temperature Coefficient I _{SC}	(%/°F)	32.01

Physical and Mechanical Specifications

Length	78.74"	59.05"	59.05"	59.05"	68.89"
Outside Diameter	4.72"	5.51"	6.29"	8.62"	8.62"
Inside Pole Diameter	No need	No need	<4.25"	<4.49"	<4.49"
Thickness with mold	0.09"	0.09"	0.09"	0.17"	0.17"
Weight with aluminum mold	22.66lbs	18.62lbs	20.83lbs	31.96lbs	37.36lbs
Junction Box Type	IP68				
Cell Type	Copper Indium Gallium Di selenide (CIGS)				
Certifications	UL 1703, ULC ORD C1703, UL 2703, IEC 61646, IEC 61730-1 & -2, IEC 61701, IEC 62716, DEWA				



SOLAR STREET LIGHT

USES AND APPLICATIONS GUIDE

Streets Lighting	V
Parking Lots	V
Residential Roads	V
Public Parks	V
Sports Lighting	V

ORDERING GUIDE

Ordering Guide: EXAMPLE: HIGHLIGHT SP-WPTP-A-85W-20W-4-30K-20AH-XXFT-GR

Model	Solar Panel Quantity	Solar Panel	Led Power	Distribution Type	Led Color Temp	Battery capacity	Pole Height	Body Color
HIGHLIGHT	A - 1 panel	85W	20W	4 – Type IV	30K	20AH	XXFT	GR- Grey
SP-WPTP	B - 2 panels	90W	30W	5 – Type V	40K	40AH		BLK- Black
	C – 3 Panels	100W	40W		50K	60AH		*Other colors available upon request
	D – 4 Panels	150W	50W		60K	100AH		
		180W	60W		Amber	120AH		
		70W	150AH					
		80W						

Legal Clarification: All technical information and/or products listings and/or technical support, and/or any kind of graphics, illustrations and/or instructions and/or the names, trade names, trademarks, trade symbols, service marks, logos, icons and trade dress of SolarPath Inc or in connection to SolarPath Inc or any of its selling products, contained herein is in the exclusive ownership of SolarPath Inc and may not be alternated and/or used in any manner including but not limited to copy of some or all of the said material by users and/or viewers or any third party for that matter of this document and the website to which it is linked without the express prior written permission of SolarPath Inc. Furthermore, redistribution or any kind of commercial use or alternation or any kind of use other than downloading presented information in some or all contents of downloadable documents, and/or downloadable contents, is strictly prohibited without express written prior permission. All information set out herein is subject to changes as may occur from time to time. SolarPath Inc is not responsible for, and cannot guarantee and shall not be held liable for any information or the accuracy of such in websites that it does not manage



Contact us



+1.201.490.4499

Toll free: 1.888.333.SOLAR (7652)



contact@solarpathusa.com



www.solarpathusa.com