

DECORATIVE LED LIGHT

SPTX-F



The SOLARPATH SPTX-F™ is the premier LED solar illumination technology in its class today. Ultra-bright/High Intensity LED lighting means a total lighting solution for any need. The lighting fixture can be use up to 80W and can be controlled via remote control.



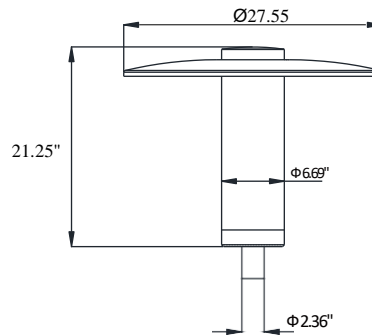
TECHNICAL PARAMETERS

Power	30W-80W
Input	AC90-305 V or AC220-240 V or 12/24DCV
PF	>0.95 cos
L85	Up to 100,000 hrs.
Operating Temperature	-31F- 122F
Efficacy	143lm/W
ANSI CCT	3000K/4000K/Amber
Min CRI	70* or 80
IP Rating	IP66
Timing	Optional
DALI	Optional
1-10V	Optional
PWM	Optional
Optic (IESNA)	Type III, Type V
Optic	PC (standard) / PMMA (option)
Color Options	Black (*Other colors up on request)
Material	Die cast Aluminum

FEATURES & BENEFITS

- High lumen output and high mounting height solution.
- Thermal control system to ensure long lifetime.
- Tool free design for easy installation and maintenance.

CERTIFICATIONS



Ordering Guide

EXAMPLE: SPTX-F-30W-3-30K-BLK-00

LED Type	MODEL (Nominal Power)	OPTIC LENS	CCT (ANSI)	OPTIONAL COLOR	LIGHTING CONTROL
	AC90-305 V or AC220-240 V or 12/24DCV				
SPTX-F	30W	3- Type III 5- Type V	★ 30K ★ 40K ★ 60K ★ Amber * Other colors available	★ BLK * Other colors available	00
	40W				No motion sensor
	50W				01
	60W				Motion Sensor
	80W				04 DALI 05 1-10V dimming

