



The SOLARPATH HIGHLIGHT SP-WPTX™ is the most advanced and sophisticated solar light pole available on the market. The solar light pole is completely off-grid and works autonomously, using sustainable solar power. This means there is no need for expensive cabling and invasive trenching, which results in fast installation, easy operation and a low total cost of ownership. Solar energy generated during the day is stored in high-quality lithium batteries, which are long-lasting and require minimum maintenance. The highly efficient LED-luminaire provides powerful lighting at night.

## Advantage

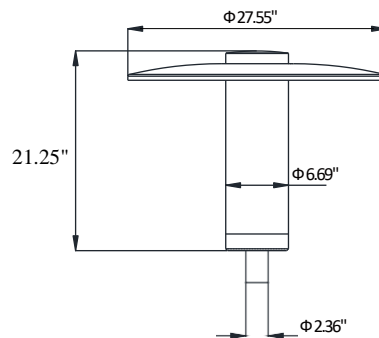
- CIGS Amorphous flexible solar panel wrap on pole
- Maintenance free.
- High LED performance.
- Battery and controller panel are build inside of pole.
- Controller: Optically control. Time control, anti-over-discharge and short-circuit resistant.
- Material: Aluminum alloy, steel pole coated with electrostatic spray, anti-salted, anti- acid, weather and rust resistant.
- IP65

## Uses and Applications Guide

Streets lighting	●
Parking lots	●
Walking/bike path	●
Branch roads	●
Residential roads	●
Public parks	●

## Technical Specifications

Solar Module Parameters	Type	CIGS Amorphous flexible solar panel wrap on pole
	Power	Up to 720W
Solar Charge Controller Parameters	Type	MPPT
Battery type and parameters	Lithium (NMC)	Up to 150AH
LED Light Parameters	Light Source Power	Up to 50W
	Brightness	Up to 6,500 lm
	CCT (Correlated Color Temperature)	3,000K-6,000K/ Amber
Operation profile	Dusk to dawn (dim per to solar radiation)	
Operation Temperature	-31°F-122°F	
Height	Customized per to customer requirement	



## Ordering guide: Example- SP-WPTX -A-80W-20W-4-30K-20AH-XXft-BLK

Model	Solar panel qty.	Solar panel	LED Power	Distribution Type	Color Temp.	Battery capacity	Pole height	Body color
SP-WPTX	A – 1 panel	85W	30W	3 – Type III 5 – Type V	30K	20AH	XX FT	BLK-Black GR-Grey *other colors available upon request
	B – 2 panels	90W	40W		40K	40AH		
	C – 3 panels	100W	50W		50K	60AH		
	D – 4 panels	150W 180W			60K Amber	100AH 120AH 150AH		



\*Up on request