

1. LED Model



HIGHLIGHT SP-RDGL



HIGHLIGHT SP-SDGL



HIGHLIGHT SP-SDGL-M



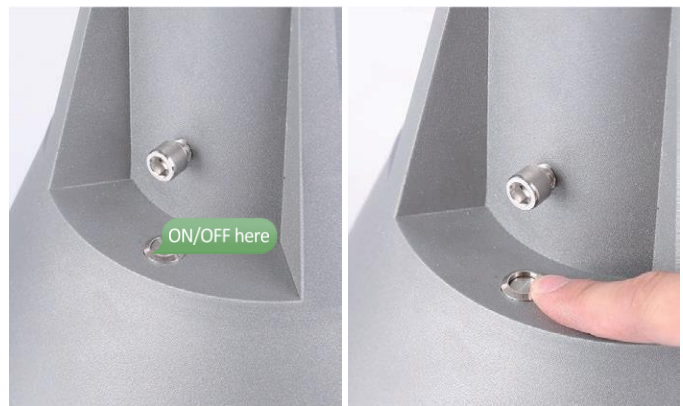
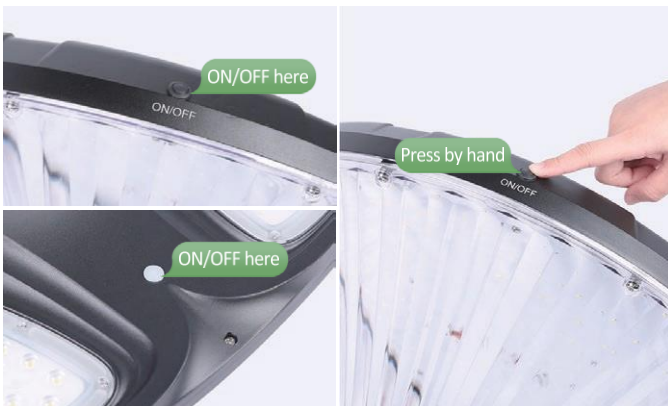
HIGHLIGHT SP-DSPL-N

2. Solar LED test

- Please test the solar fixture before installation, to ensure that the fixture is properly lit.
- Test at daylight: cover the solar panel then press ON/OFF button, the LED fixture will light up.

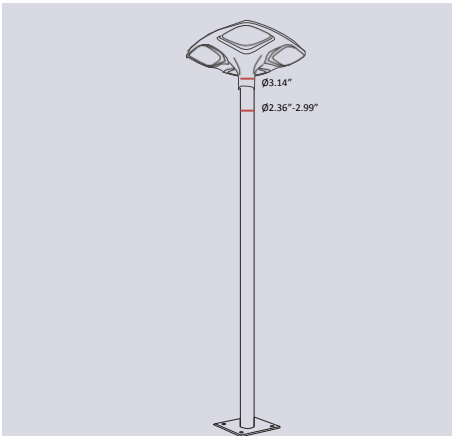
Test at night: Press ON/OFF button, the LED fixture will light up.

3. Switch indication



- Please find black/white switch button on LED fixture, press the switch for 10 seconds, the LED will turn ON.
- Please find metal switch button on LED fixture, press the switch for 10 seconds, the LED will turn ON.

4. Installation instructions



$\varnothing 2.36" - 2.99"$ top diameter



1. Insert LED fixture into the top of a pole and tight the screws, make sure that the LED fixture is firmly installed on a pole.



2. Press switch button to turn ON the solar LED fixture.

5. Precaution install

Please check the installation environment to ensure that the solar panel are not covered by any shading objects, such trees and ets.