

## Key features

- Low installation and maintenance costs.
- Weather-proof and UV- proof.
- IP Rating IP66
- High LED performance
- LED's operation life time over 70,000 hours.
- Light dimming engine.
- LED strings shunt protection.
- Battery inside pole.
- Wind- resistant and self cleaning.
- Coated with electrostatic spray for anti-salted, anti-acid, rust resistant.
- Material: die cast aluminum reflector and flat or lenticular tempered glass cover.

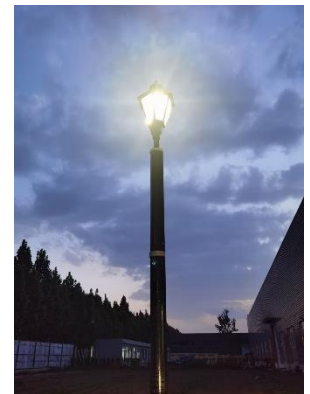
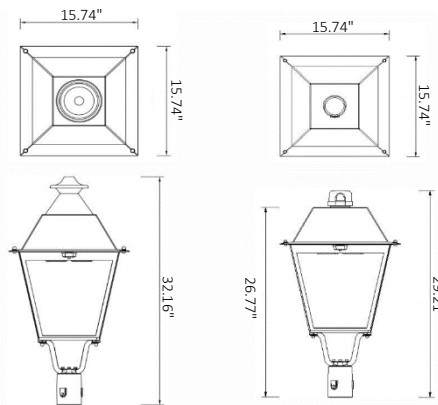
The SolarPath HIGHLIGHT SP-WSDL™ is the most advanced and sophisticated solar light pole available on the market. The solar light pole is completely off-grid and works autonomously, using sustainable solar power. This means there is no need for expensive cabling and invasive trenching, which results in fast installation, easy operation and a low total cost of ownership. The curved vertically integrated solar panels are wind-resistant and self-cleaning, as dirt and dust cannot stick on the design. Solar energy generated during the day is stored in high-quality lithium batteries, which are long-lasting and require minimum maintenance. The highly-efficient LED-luminaire provides powerful lighting at night.

## Technical Specifications



Solar Module Parameters	Type	CIGS Flexible Module	
	Power	Up to 540W	
Solar Charge Controller Parameters	Type	MPPT	
	Battery type and parameters	LifePO4	Up to 150AH
LED Light Parameters	Light Source Power	Up to 60W	
	Brightness	Up to 7,404 lm	
	CCT (Correlated Color Temperature)	3,000K-6,500K	
Operation profile	Programmable, depend on solar radiation.		
Operation Temperature	26.6°F-113°F		
Pole Height	Up to 25 Ft		

## Uses and Applications Guide

Streets lighting	●
Parking lots	●
Walking/bike path	●
Branch roads	●
Residential roads	●
Public parks	●



## Ordering Guide: EXAMPLE: HIGHLIGHT SP-WSDL -A-80W-SF-20W-2-30K-20AH-12ft-BLK-00

Model	Solar Panel Quantity	Solar Panel	LED Head	Led Power	Distribution Type	Led Color Temp	Battery capacity	Pole Height	LED Body color	Options
HIGHLIGHT SP-WSDL	A-1 panel	85W	SF - 	20W	2 - Type II	30K	20AH	12FT	BLK- Black	00 - No motion sensor
	B-2 panels	90W		30W						
	C-3 panels	100W	RF - 	40W		50K	60AH	20FT		
		150W		50W		65K	100AH	25FT		
		180W		60W			120AH			
							150AH			



\*Up on request