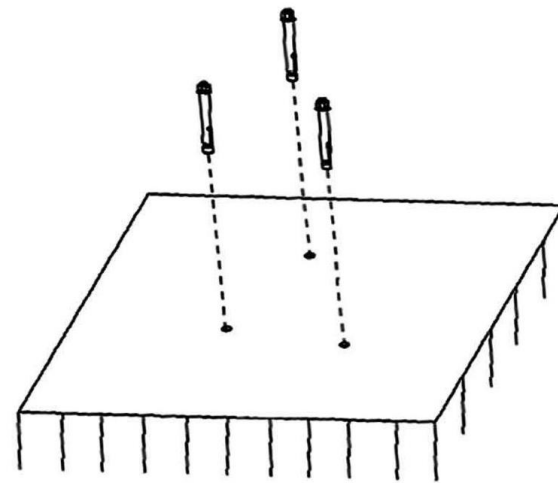
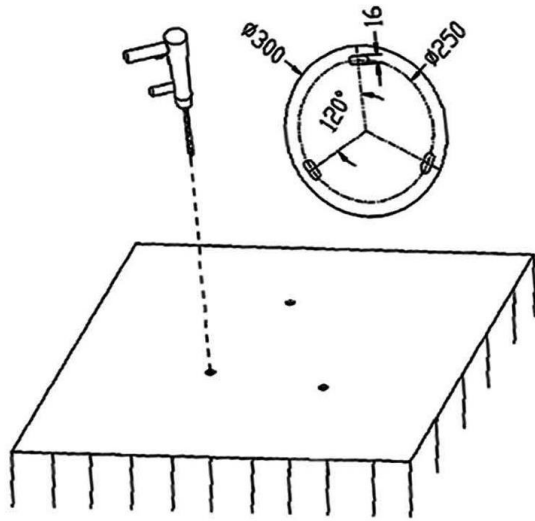
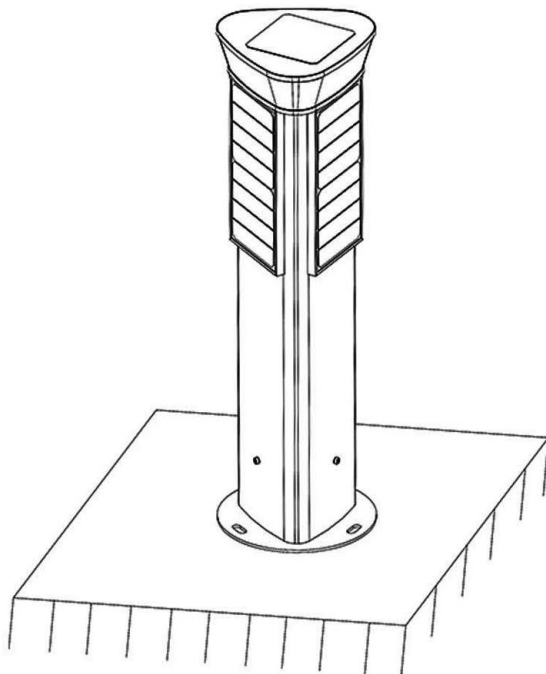


# Installation Manual- 2SPBL17

- Place battery and MPPT controller as per below drawing. Match holes location, then fix it with 2 pcs M4 lock nuts and 4 pcs M4 eye nuts.
- Connect the wiring between the LED, solar panel and battery.



- Unlock the buckle, place solar panel as per below drawing, buckle up.



- Place bracket as per below drawing, match the location of holes and fix it with screws.

