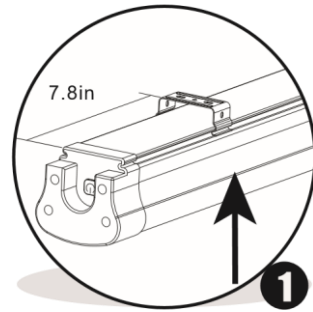
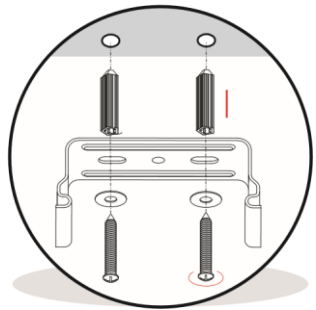




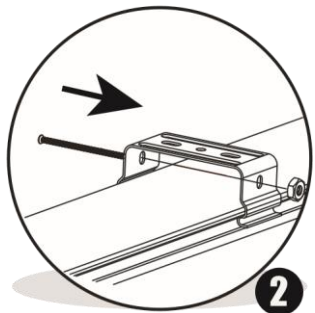
# User Manual



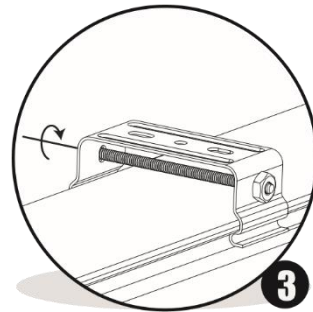
## SP-XL-Series



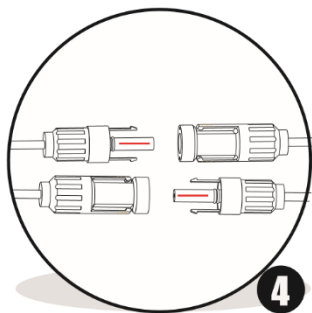
Connect the two metal clips into position and attach to the surface. It is recommended that each clip is positioned approximately 7.8in from each end of the SP-XL. Caution : Ensure correct anchor sleeves are used for surface material. Please see package contents before installation.



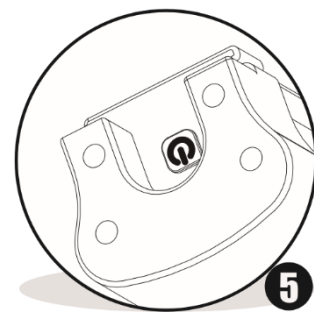
Insert Tension Bolt and attach the SP- XL to the metal clips.



Using a screw driver, secure each clip onto the SP-XL with the Tension bolt. Note : This is only to secure the SP-XL so it cannot be removed - Do not over tighten.



Connect the MC4 Connectors to the Solar PV panel. Note : A matching pair of MC4 connectors are included in the contents of this package. If the Solar PV Panel does NOT have an identical pair of MC4 connectors, replace them with the ones provided to guarantee a weather tight connection



Power ON the SP-XL. A RED signal light can be seen at the sensor end of the SP-XL. Program the light to best suit your installation.

Please refer to setup guide of manual properly.



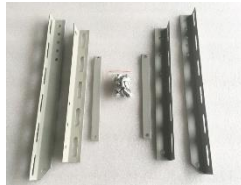
## Operation Method

1. Use the MC4 connector to plug the light to the solar panel.
2. Press the button on the main body to the ON position to make the light turn on automatically after sundown (Lighting mode was set by factory before delivery).
3. The solar led light is now ready for use. You can also use the remote control to change the lighting modes or brightness.
4. Press the button to the OFF position then the light will stop working, or use the remote control to turn off the light.

## Installation instructions

Accessories: 1.solar flood light; 2.solar panel;  
3.solar panel adapter bracket with screws;

- ① Fix the solar panel bracket with screws



- ② Fix solar panel bracket with solar panel



- ③ Fix the other side of the solar panel



- ④ Fix solar panel on the wall

