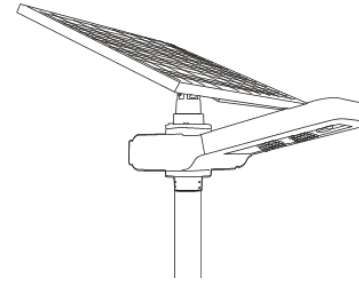


## Indicator light status instructions



### Why Intelligent Solar Street Light do not light on?''

1. Make sure waterproof connector is connected.
2. Activating charge when first installation. Connect solar panel to light body and make sure solar panel face to sunlight directly at least 5s, then check is it light on at night.
3. If it can't light on after several days' using, you can read controller status instructions part on this manual.

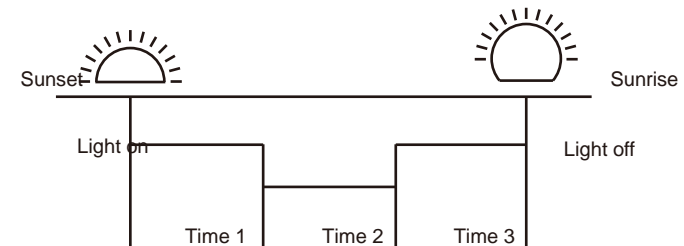
If above information still can't solve your problem, please contact Solarpath directly, we will happy to serve you all the time.

### Does it need clean surface of panel?

Yes, it is needed to clean surface regularly according to the gravity of the dust in local city.

### Dose the lamp light on automatically?

Yes, it will light on automatically at darkness no matter which mode except "OFF".



LED light	Indications	Status	Functions
Blue Charging indication		Long-term On	Be charging
		Long-term Off	Battery full charged
RED Battery indication		Long-term On	Battery works normally
		Long-term Off	Battery is not connected/No power
		Fast twinkling	Battery is over discharged
		Slow twinkling	Battery full charged
Green Load indication		Long-term On	Load is on
		Long-term Off	Load is off

There are three indicator lights

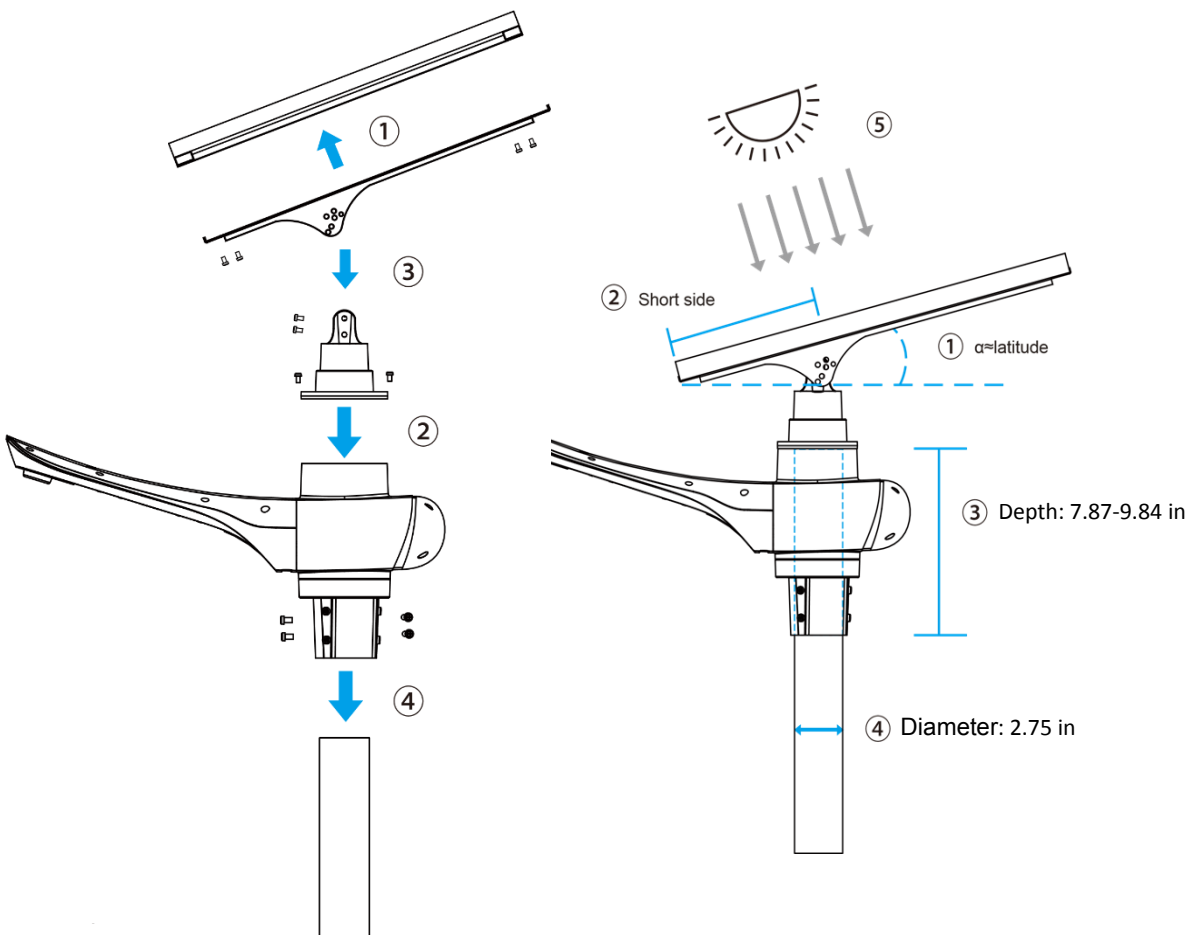
## working mode



- DEMO: No matter day or night, light "on" for 1 minute. Only for test use.
- OFF: Light "off", no matter day or night.
- L: At night, 100%-2hrs, 70%-2hrs, 30%-dawn.
- T: At night, 100%-1hr, 70%-2hrs, 40%-3hrs.
- M: At night, 50%-1hr, 100%-3hrs, 30%-dawn.
- U: At night, 100%-1hr, 70%-3hrs, then sensor working, 50% if people come, 20% stand-by.

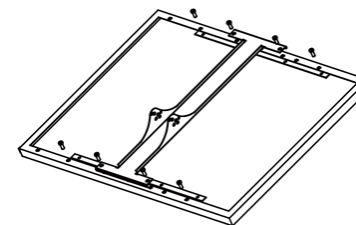
- Note:**
1. Default is L mode, can choose best mode according to different sunshine condition.
  2. The three LED indicator lights will twinkle if modes changing successfully.
  3. Once a certain mode was set successfully, it will be reserved until you change other modes with remote control.
  4. Remote controller will be offered according to real order.

## How to install Intelligent Solar Street Light?



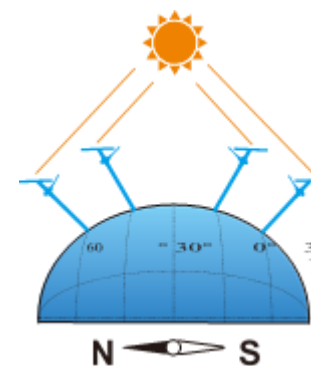
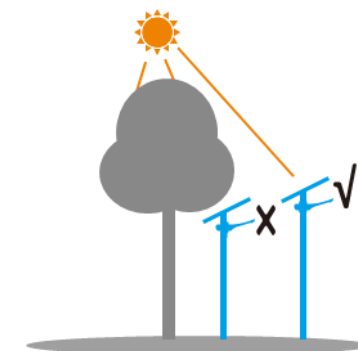
1. Fix bracket on the panel.
2. Fix rotating head on the lamp.
3. Connect the panel to the rotating head.
4. Install the whole light system on pole.

1. Set suitable angle towards sun. {local latitude}
2. In order to maximize the solar panel angle, please let the short side of solar panel downward.
3. Advising depth of lamp at the top as above.
4. Keep the top diameter of pole as above.
5. Recharge battery every 3 months at least if lie idle.



6. Please pay attention on the accessories of bracket when install it on solar panel (80W, 100W, 120W)

7. For the maximum operation efficiency of the solar panels, please make sure the sunlight is not blocked by buildings or trees.



8. If you install Intelligent Solar Street Light in the northern hemisphere, please make the solar panels face towards the south. If you install Intelligent Solar Street Light in the southern hemisphere, please make the solar panels face towards the north.

9. When you install Intelligent Solar Street Light in two sides of road, please keep solar panels of two sides are the same direction based on point 7.

