

With the development of electronic products there is a demand for external charging, this is a specially designed solar charging system. That provides energy for digital products like electric bicycles and korkinets. A solar charging system can be used in parking lots, bike path, villages and other places.

Advantages:

- Flexible Monocrystalline Silicon Solar Panel.
- Intelligent Control: Support remote data monitoring.
- Function: Three 220V AC Outputs and USB Outputs, WIFI Public Broadcasting Optional.
- Intelligent Tracking System.
- Optional: WIFI, NFC, APP, QC Code, Camera.

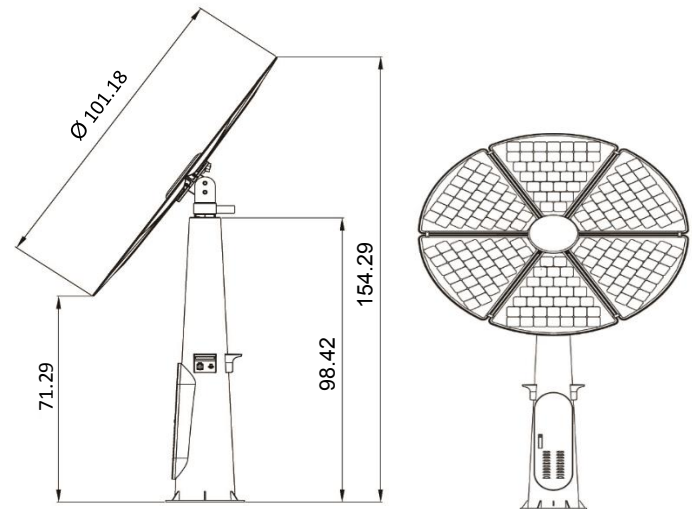
Uses and Applications Guide

Squares	●
Scenic spots	●
Charging for electric cars	●
Streets	●
Bike paths	●



Technical Specifications

Solar Panel Power	600W
Light	1W x 3
Battery Capability	24V/50AH
DC Output	5V/2A (3pcs)
AC Output	220V 50Hz (3pcs)
Output power (Max)	1,200W
Working Temperature	-4°F-122°F
Total Height	9.84ft



Legal Clarification: All technical information and/or products listings and/or technical support, and/or any kind of graphics, illustrations and/or instructions and/or the names, trade names, trademarks, trade symbols, service marks, logos, icons and trade dress of SolarPath Inc or in connection to SolarPath Inc or any of its selling products, contained herein is in the exclusive ownership of SolarPath Inc and may not be altered and/or used in any manner including but not limited to copy of some or all of the said material by users and/or viewers or any third party for that matter of this document and the website to which it is linked without the express prior written permission of SolarPath Inc. Furthermore, redistribution or any kind of commercial use or alteration or any kind of use other than downloading presented information in some or all contents of downloadable documents, and/or downloadable contents, is strictly prohibited without express written prior permission. All information set out herein is subject to changes as may occur from time to time. SolarPath Inc is not responsible for, and cannot guarantee and shall not be held liable for any information or the accuracy of such in websites that it does not manage.

