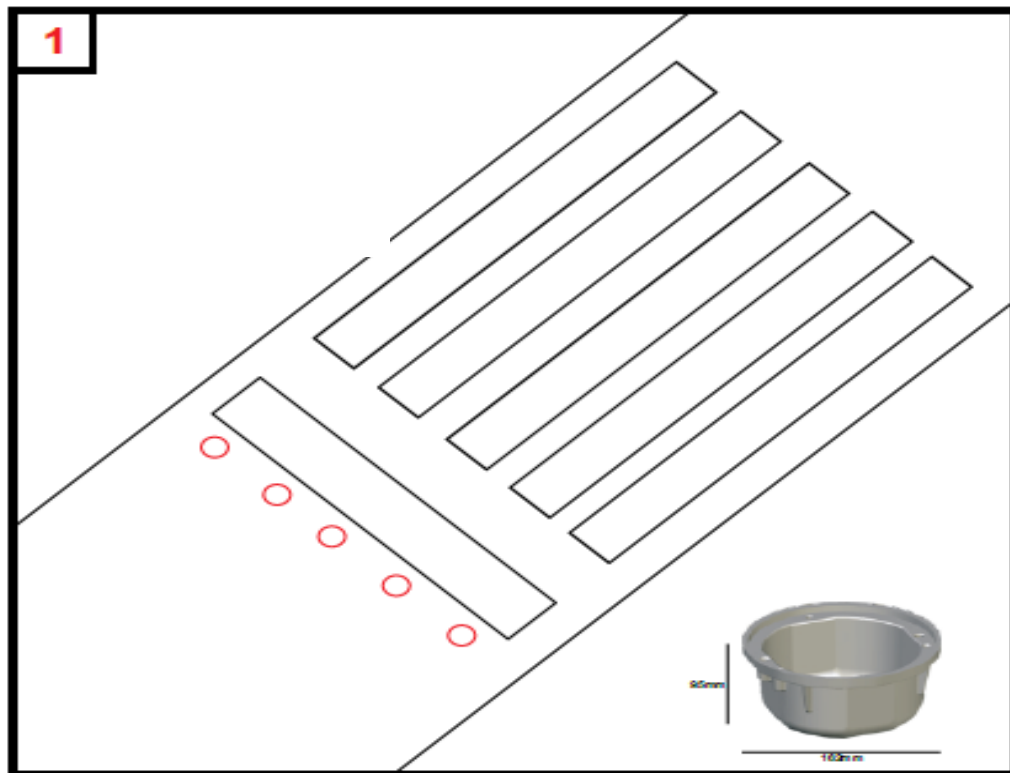




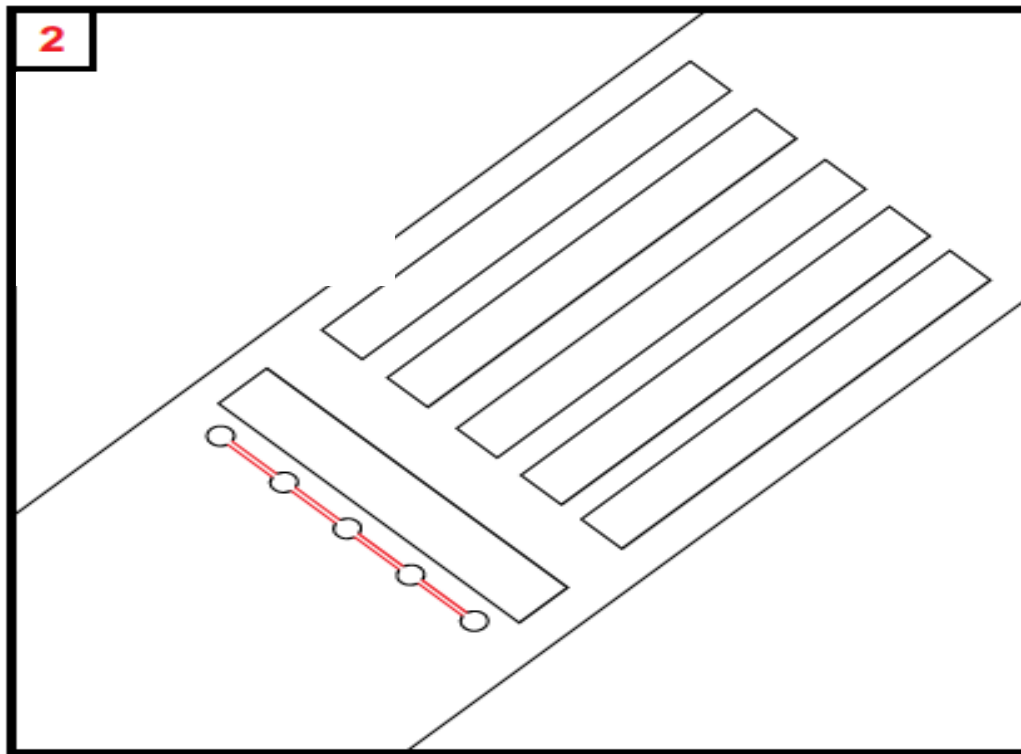
R1: Installation Instructions for pre-pavement

1. Use dimensions of R1 unit to create shape for the purposes of “boxing out” units in a pre-pavement application, making sure to leave 1 inch of space around the perimeter of the unit for epoxy. This applies to all sides of the unit except for the LED side.

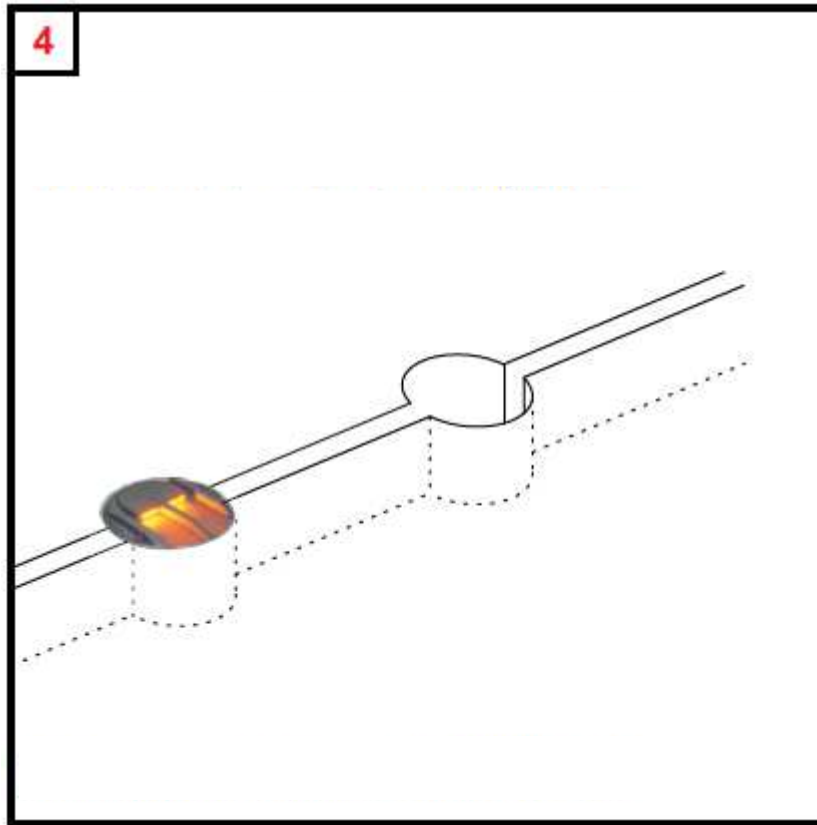




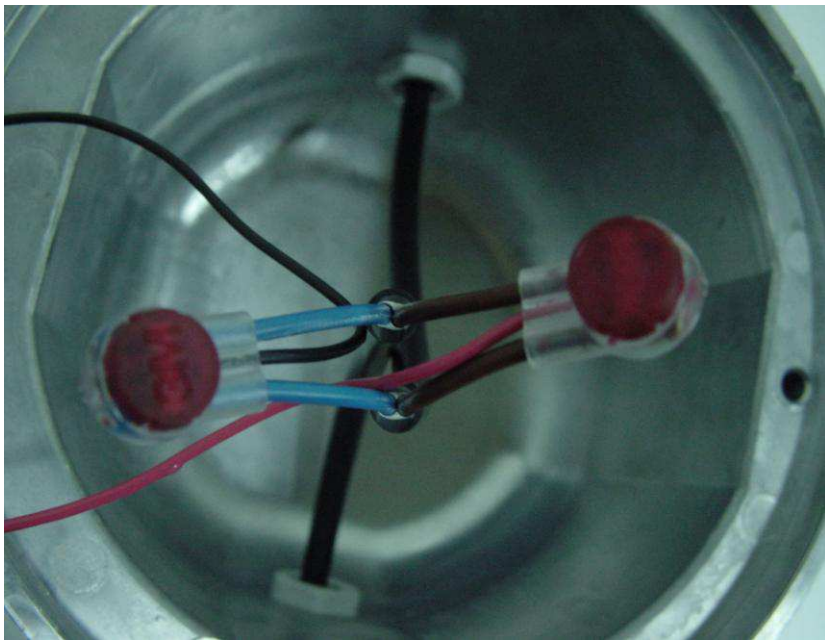
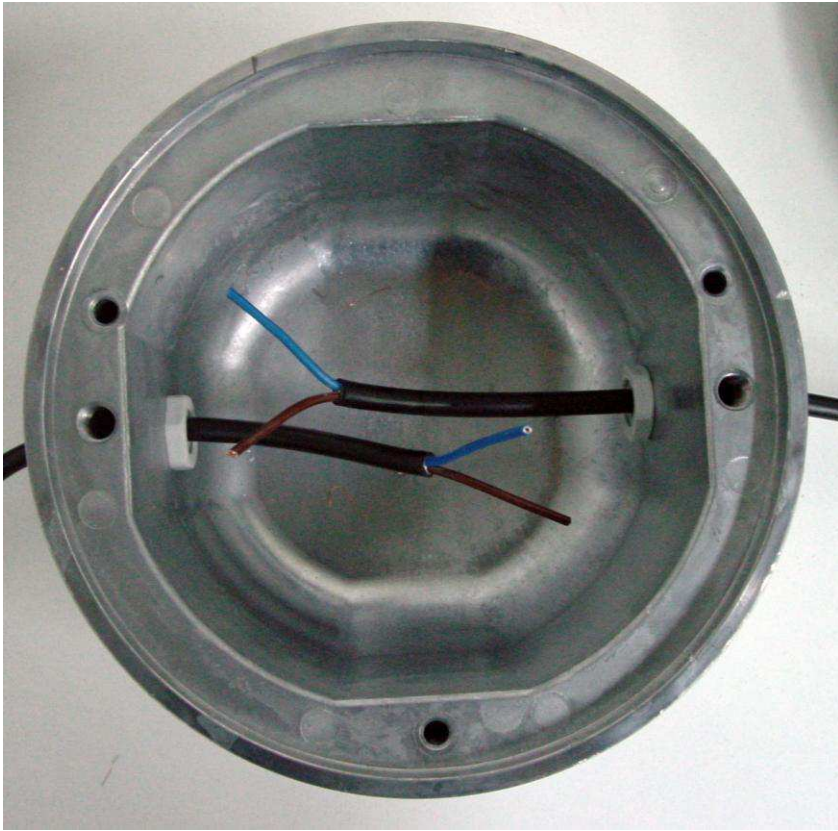
2. Use the distance between R1 units to create the proper length of 1/4" PVC pipes to "box out" wiring for each R1 unit.



3. Measure the distance from the wire to the base of unit in order set the tubing at the proper orientation to the units

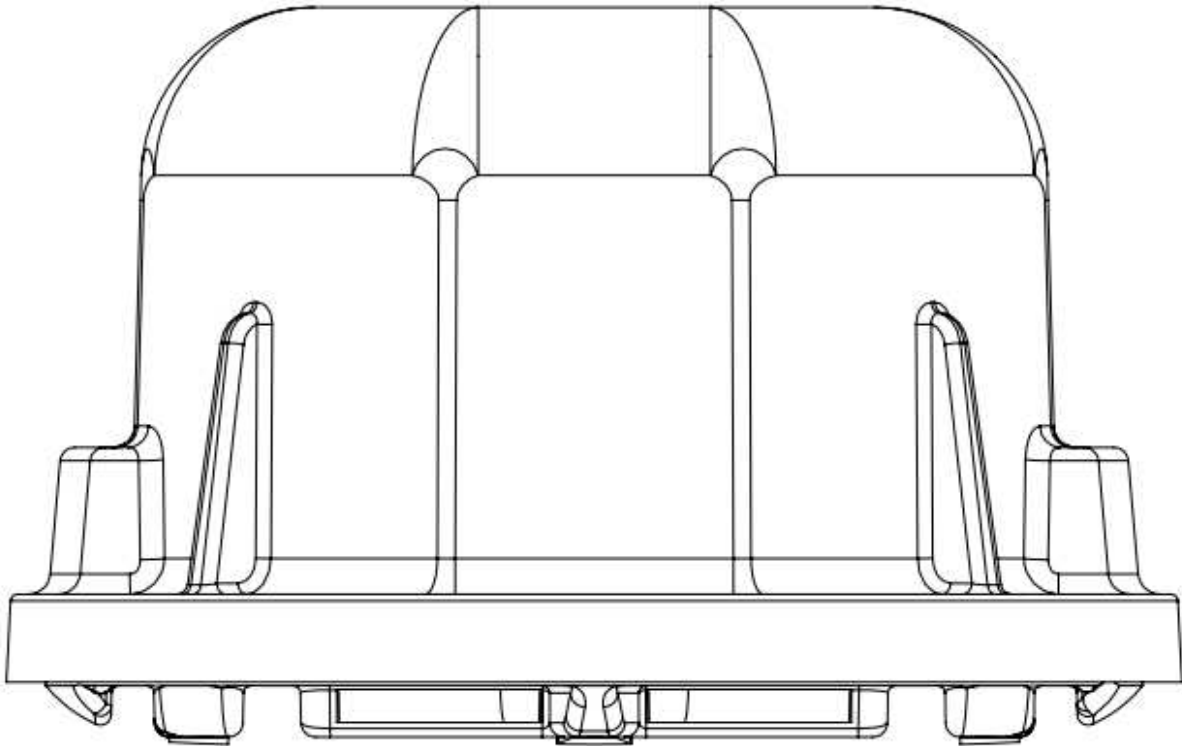


4. Align the tubing and the “boxed out” shells at the proper orientation so as to allow for the wiring to connect to the shells.
5. The R1 unit is an in-grade lighting fixture that should be flush with the surface except for the .275” of the unit which is the lighting component.
6. Connect wiring to the unit





All Dimensions are in Millimeters



1

